

Features

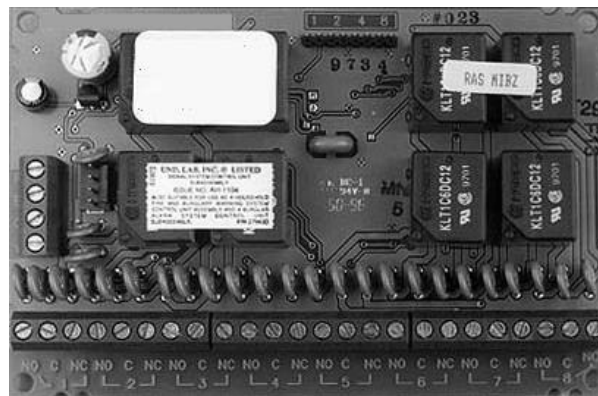
- Eight output, Octal Relay Module
- Provides eight Form “C” relay outputs
- Compatible with the D7024 Fire Alarm Control Panel (FACP)
- Mounts conveniently inside the D7024 FACP enclosure; no separate enclosure needed
- Each D7035 relay output is fully programmable
- Up to two D7035 Modules are supported by the D7024 FACP

Description

The D7035 is an Octal Relay Module that provides eight Form “C” relay outputs to the D7024 Fire Alarm Control Panel (FACP) via the FACP’s option bus.

The outputs on the D7035 are fully programmable, and they operate individually from the other seven outputs for complete flexibility. The outputs can also be activated by several system events.

Up to two D7035 modules are allowed on each D7024 system.



D7035 Octal Relay Module

Application

The D7024 FACP has two on-board relay contacts. The D7035 Octal Relay Module adds eight Form “C” relay contacts to the D7024 system.

These relays can be used to interface the FACP with other systems or controller inputs. The relays can also be used for door closure, fan control, annunciators, indicators or other dry contact input devices. Normally Open (N/O) or Normally Closed (N/C) contacts can indicate alarm, supervisory or trouble conditions.

Installation

The D7035 control module mounts to existing attachment points inside the D7024 enclosure. Mounting hardware for the D7035 is packaged with the module.

The D7035 connects to the D7024’s four-wire option bus.

The FACP sends 12 V power and Data from the Option Bus to the input terminals on the D7035 over four wires. The wiring terminals are color-coded.

The maximum distance allowed between a D7035 module and the control panel is 250 ft. (76 m).

The total wire run throughout the system is 1,000 ft. (304.8 m) between octal relay modules using the recommended #22 AWG (.74 mm) wire. Using #18 AWG (.048 mm), the total wire run throughout the system is up to 2,000 ft. (610 m) between the module and the control panel. No more than two D7035 Octal Relay Modules are recommended on any 2,000-ft. (610 m) run.



Specifications

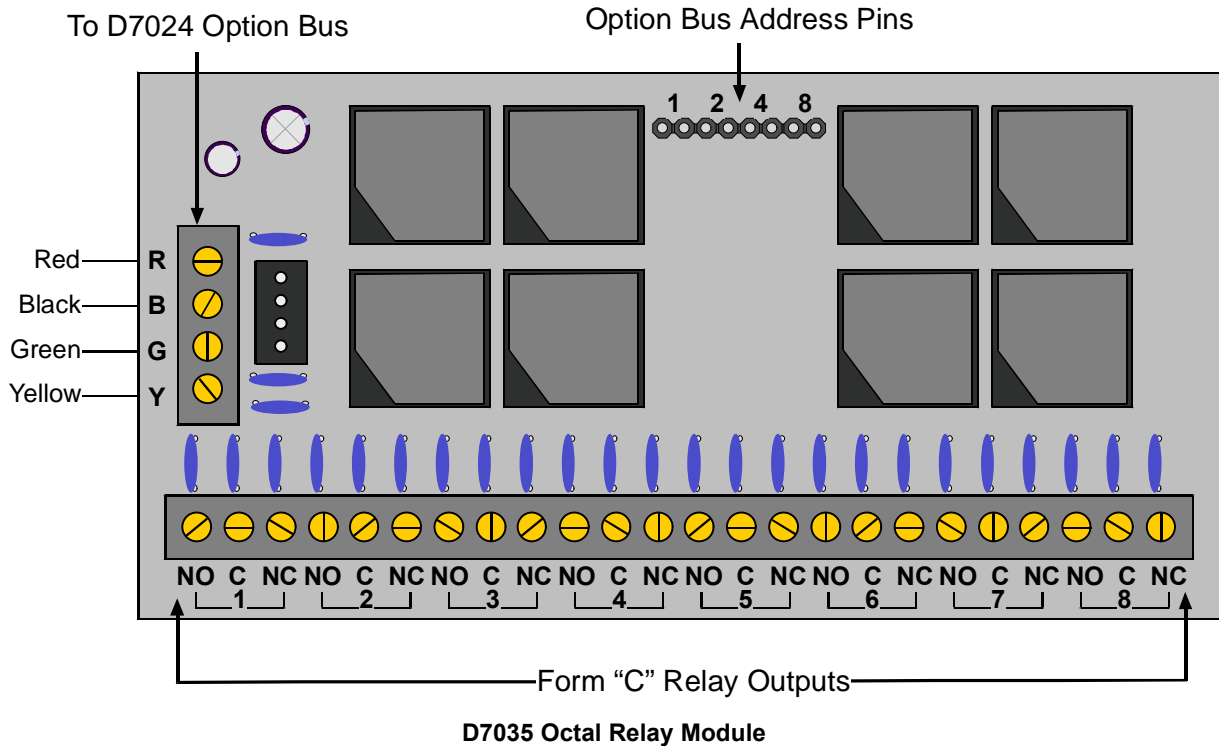
Model Number	D7035
Nominal Option Bus Supply Voltage	12 VDC
Current Draw	8 mA + 30 mA drawn from 24 V panel battery
Relay Contact Rating	5 A @ 28 VDC
Width	5.0 in. (13.0 cm)
Height	3.3 in. (8.3 cm)
Depth	0.8 in. (2.1 cm)

Listings and Approvals

- UL Listed S1871
- CSFM (Submitted)
- NYC-MEA 12-92-E Vol. VII
- FM (Submitted)

Ordering Information

Model	Description
D7024	24V Fire Alarm Control Panel
D7033	Addressable Fire System Controller
D7034	Four Zone Expander
D7035	Octal Relay Module
D7038	Remote NAC Power Supply
D7039	Multiplex Expansion Module



© 1999 Radionics, a division of Detection Systems, Inc.
 © The Radionics logo is a registered trademark of Radionics,
 PO Box 80012, Salinas, CA 93912-0012, USA
 All rights reserved.
 Customer Service: (800) 538-5807

41272B 06/99
 D7035 Specifications
 L1003 Page 2 of 2